



LARYNGOLOGY BRONCHOSCOPY

NAZMED SMS SDN BHD



www.smsindus.com

Manufacturers, Stockiest & Supplier of Surgical Instruments

FORCEPS FOR LARYNGO BRONCHO ESOPHAGOSCOPY



- Art No:** SMS-ENT-8000
- Name:** Laryngo Broncho Esophagoscopy Forceps
- Detail:** Length of Shaft : 35cm
Tube Shaft : 2.0 mm
One Jaw Movable
For Children

FORCEPS FOR LARYNGO BRONCHO ESOPHAGOSCOPY



- Art No:** SMS-ENT-8001
- Name:** Laryngo Broncho Esophagoscopy Forceps Fig 2
- Detail:** One Jaw Movable
For Children
Length of Shaft : 35cm
Tube Shaft : 2.0 mm

FORCEPS FOR LARYNGO BRONCHO ESOPHAGOSCOPY



- Art No:** SMS-ENT-8002
- Name:** Laryngo Broncho Esophagoscopy Forceps
- Detail:** One Jaw Movable
For Children
Length of Shaft : 35cm
Tube Shaft : 2.0 mm

FORCEPS FOR LARYNGO BRONCHO ESOPHAGOSCOPY



- Art No:** SMS-ENT-8003
- Name:** Laryngo Broncho Esophagoscopy Forceps
- Detail:** One Jaw Movable
For Children
Length of Shaft : 35cm
Tube Shaft : 2.0 mm

FORCEPS FOR LARYNGO BRONCHO ESOPHAGOSCOPY



- Art No:** SMS-ENT-8004
- Name:** Laryngo Broncho Esophagoscopy Forceps
- Detail:** One Jaw Movable For Children
- Length of Shaft : 35cm
- Tube Shaft : 2.0 mm

FORCEPS FOR LARYNGO BRONCHO ESOPHAGOSCOPY



Art No:	SMS-ENT-8005
Name:	Laryngo Broncho Esophagoscopy Forceps
Detail:	One Jaw Movable For Children Length of Shaft : 35cm Tube Shaft : 2.0 mm

FORCEPS FOR LARYNGO BRONCHO ESOPHAGOSCOPY



FORCEPS FOR LARYNGO-BRONCHO-ESOPHAGOSCOPY



FORCEPS FOR LARYNGO-BRONCHO-ESOPHAGOSCOPY

Art No:SMS-ENT-8006

Name:Laryngo Broncho Esophagoscopy

Detail: One Jaw Movable

For Children

Length of Shaft : 35cm

Tube Shaft : 2.0 mm

Art No:SMS-ENT-8007

Name:Laryngo Broncho Esophagoscopy

Detail: One Jaw Movable

For Children

Length of Shaft : 35cm

Tube Shaft : 2.0 mm

FORCEPS FOR LARYNGO BRONCHO ESOPHAGOSCOPY



- Art No:** SMS-ENT-8008
- Name:** Laryngo Broncho Esophagoscopy Forceps
- Detail:** One Jaw Movable
- For Children
- Length of Shaft : 35cm
- Tube Shaft : 2.0 mm

FORCEPS FOR LARYNGO BRONCHO ESOPHAGOSCOPY



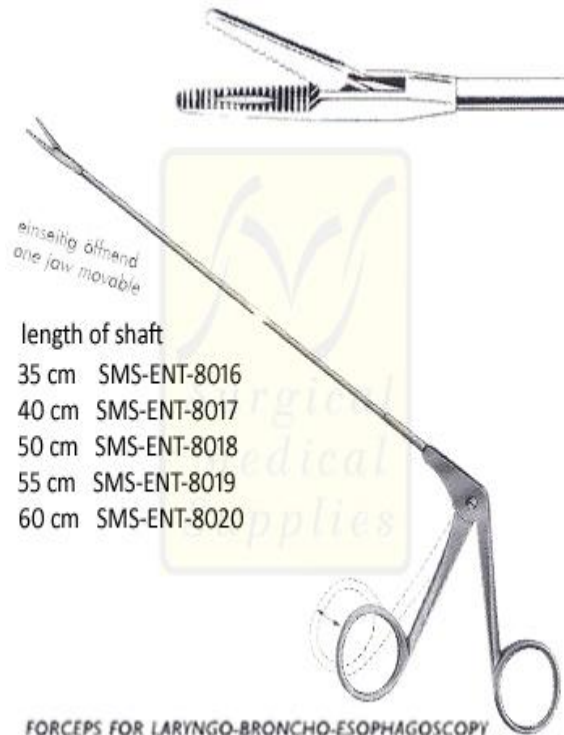
- Art No:** SMS-ENT-8009
- Name:** Laryngo Broncho Esophagoscopy Forceps
- Detail:** One Jaw Movable
For Children
Length of Shaft : 35cm
Tube Shaft : 2.0 mm

FORCEPS FOR LARYNGO BRONCHO ESOPHAGOSCOPY



Art No:	SMS-ENT-8011-8015	
Name:	Laryngo Broncho Esophagoscopy Forceps Fig 12	
Detail:	One Jaw Movable	Tube Shaft : 2.5 mm
	Length of Shaft :	SMS-ENT-8011 = 35cm
	SMS-ENT-8012 = 40cm	SMS-ENT-8013 = 50cm
	SMS-ENT-8014 = 55cm	SMS-ENT-8015 = 60cm

FORCEPS FOR LARYNGO BRONCHO ESOPHAGOSCOPY



length of shaft

35 cm SMS-ENT-8016

40 cm SMS-ENT-8017

50 cm SMS-ENT-8018

55 cm SMS-ENT-8019

60 cm SMS-ENT-8020

FORCEPS FOR LARYNGO-BRONCHO-ESOPHAGOSCOPY

Art No:	SMS-ENT-8016-8020	
Name:	Laryngo Broncho Esophagoscopy Forceps Fig 13	
Detail:	One Jaw Movable	Tube Shaft : 2.5 mm
	Length of Shaft :	SMS-ENT-8016 = 35cm
	SMS-ENT-8017 = 40cm	SMS-ENT-8018 = 50cm
	SMS-ENT-8019 = 55cm	SMS-ENT-8020 = 60cm

FORCEPS FOR LARYNGO BRONCHO ESOPHAGOSCOPY



Art No:	SMS-ENT-8021-8025	
Name:	Laryngo Broncho Esophagoscopy Forceps	
Detail:	One Jaw Movable	Tube Shaft : 2.5 mm
	Length of Shaft :	MS-ENT-8021 = 35cm
	SMS-ENT-8022 = 40cm	SMS-ENT-8023 = 50cm
	SMS-ENT-8024 = 55cm	SMS-ENT-8025 = 60cm

FORCEPS FOR LARYNGO BRONCHO ESOPHAGOSCOPY



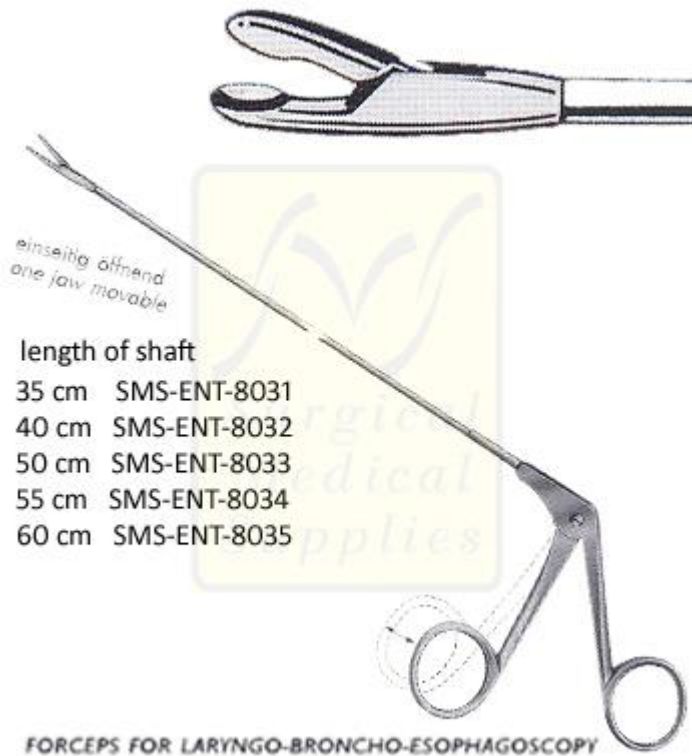
Art No: SMS-ENT-8026-8030

Name: Laryngo Broncho Esophagoscopy Forceps Fig 15

Detail:

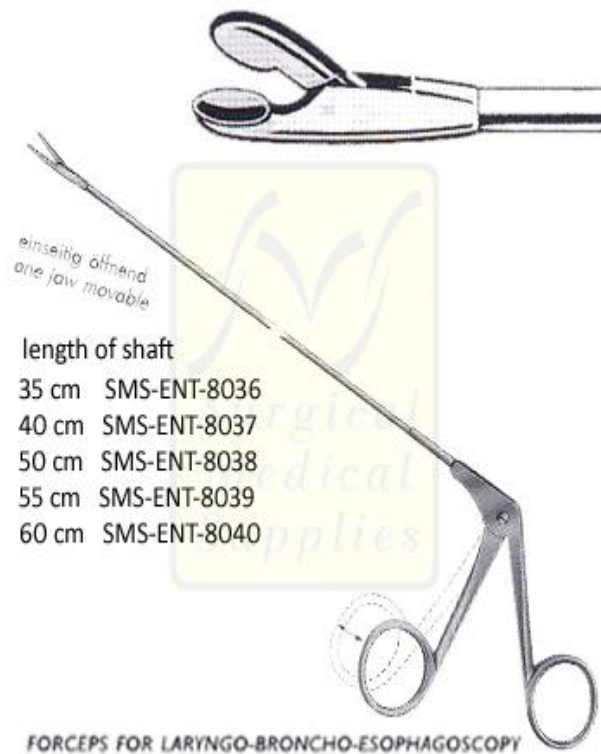
One Jaw Movable	Tube Shaft : 2.5 mm
Length of Shaft :	SMS-ENT-8026 = 35cm
SMS-ENT-8027 = 40cm	SMS-ENT-8028 = 50cm
SMS-ENT-8029 = 55cm	SMS-ENT-8030 = 60cm

FORCEPS FOR LARYNGO BRONCHO ESOPHAGOSCOPY



Art No:	SMS-ENT-8031-8035	
Name:	Laryngo Broncho Esophagoscopy Forceps	
Detail:	One Jaw Movable	Tube Shaft : 2.5 mm
	Length of Shaft :	SMS-ENT-8031 = 35cm
	SMS-ENT-8032 = 40cm	SMS-ENT-8033 = 50cm
	SMS-ENT-8034 = 55cm	SMS-ENT-8035 = 60cm

FORCEPS FOR LARYNGO BRONCHO ESOPHAGOSCOPY



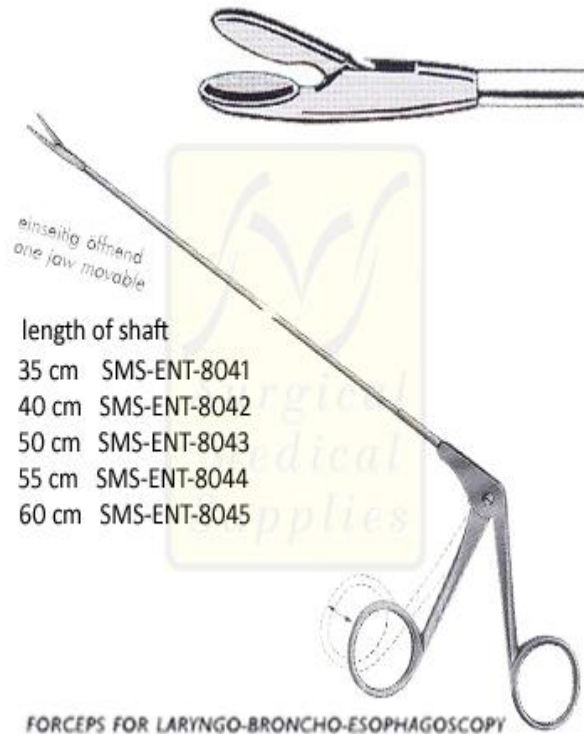
Art No: SMS-ENT-8036-8040

Name: Laryngo Broncho Esophagoscopy Forceps

Detail:

One Jaw Movable	Tube Shaft : 2.5 mm
Length of Shaft :	SMS-ENT-8036 = 35cm
SMS-ENT-8037 = 40cm	SMS-ENT-8038 = 50cm
SMS-ENT-8039 = 55cm	SMS-ENT-8040 = 60cm

FORCEPS FOR LARYNGO BRONCHO ESOPHAGOSCOPY



Art No:	SMS-ENT-8041-8045	
Name:	Laryngo Broncho Esophagoscope Forceps	
Detail:	One Jaw Movable	Tube Shaft : 2.5 mm
	Length of Shaft :	SMS-ENT-8041 = 35cm
	SMS-ENT-8042 = 40cm	SMS-ENT-8043 = 50cm
	SMS-ENT-8044 = 55cm	SMS-ENT-8045 = 60cm

FORCEPS FOR LARYNGO BRONCHO ESOPHAGOSCOPY



Art No: SMS-ENT-8046-8050

Name: Laryngo Broncho Esophagoscopy Forceps

Detail:

One Jaw Movable	Tube Shaft : 2.5 mm
Length of Shaft :	SMS-ENT-8046 = 35cm
SMS-ENT-8047 = 40cm	SMS-ENT-8048 = 50cm
SMS-ENT-8049 = 55cm	SMS-ENT-8050 = 60cm

FORCEPS FOR LARYNGO BRONCHO ESOPHAGOSCOPY



working length 25 cm, 35 cm & 45 cm
 shaft diam. 1.5 mm SMS-ENT-8064
 shaft diam. 1.5 mm SMS-ENT-8065
 shaft diam. 2.0 mm SMS-ENT-8066
 shaft diam. 2.0 mm SMS-ENT-8067

BRONCHOSCOPIC AND ESOPHAGOSCOPIC FORCEPS

Art No: SMS-ENT-8064-8067

Name: Bronchoscopic and Esophagoscopic Forceps

Detail: Both Jaws Movable Working Length, Shaft Diam

SMS-ENT-8064 = 25cm, 1.5 mm SMS-ENT-8065 = 35cm, 1.5 mm

SMS-ENT-8066 = 35cm, 2.0 mm SMS-ENT-8067 = 45cm, 2.0 mm

FORCEPS FOR LARYNGO BRONCHO ESOPHAGOSCOPY



working length 25 cm, 35 cm & 45 cm
 shaft diam. 1.5 mm SMS-ENT-8068
 shaft diam. 1.5 mm SMS-ENT-8069
 shaft diam. 2.0 mm SMS-ENT-8070
 shaft diam. 2.0 mm SMS-ENT-8071

BRONCHOSCOPIC AND ESOPHAGOSCOPIC FORCEPS

Art No: SMS-ENT-8068-8071

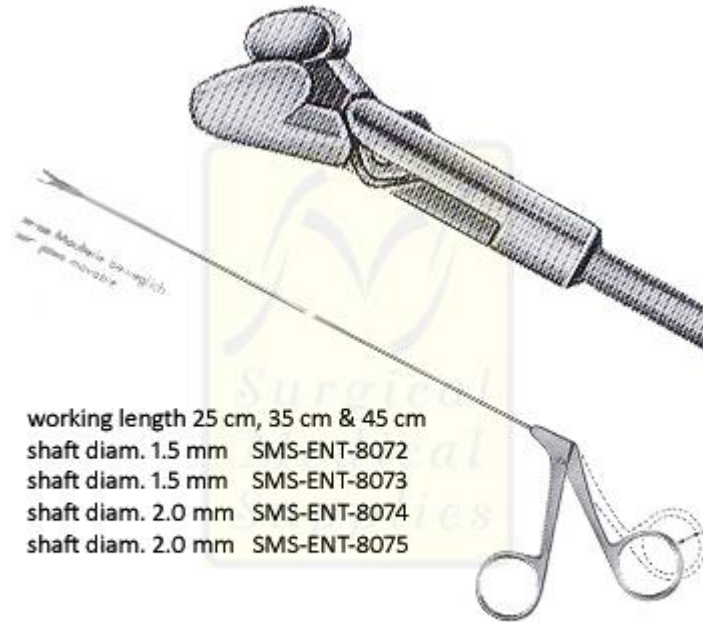
Name: Bronchoscopic and Esophagoscopic Forceps

Detail: Both Jaws Movable Working Length, Shaft Diam

SMS-ENT-8068 = 25cm, 1.5 mm SMS-ENT-8069 = 35cm, 1.5 mm

SMS-ENT-8070 = 35cm, 2.0 mm SMS-ENT-8071 = 45cm, 2.0 mm

FORCEPS FOR LARYNGO BRONCHO ESOPHAGOSCOPY



working length 25 cm, 35 cm & 45 cm
 shaft diam. 1.5 mm SMS-ENT-8072
 shaft diam. 1.5 mm SMS-ENT-8073
 shaft diam. 2.0 mm SMS-ENT-8074
 shaft diam. 2.0 mm SMS-ENT-8075

BRONCHOSCOPIC AND ESOPHAGOSCOPIC FORCEPS

Art No: SMS-ENT-8072-8075

Name: Bronchoscopic and Esophagoscopic Forceps

Detail: Both Jaws Movable Working Length, Shaft Diam

SMS-ENT-8072 = 25cm, 1.5 mm

SMS-ENT-8073 = 35cm, 1.5 mm

SMS-ENT-8074 = 35cm, 2.0 mm

SMS-ENT-8075 = 45cm, 2.0 mm

FORCEPS FOR LARYNGO BRONCHO ESOPHAGOSCOPY



working length 55 cm,	working length 60 cm,
shaft diam 2.5 mm	shaft diam 2.5 mm
SMS-ENT-8076	SMS-ENT-8081
SMS-ENT-8077	SMS-ENT-8082
SMS-ENT-8078	SMS-ENT-8083
SMS-ENT-8079	SMS-ENT-8084
SMS-ENT-8080	SMS-ENT-8085

BRONCHOSCOPIC AND ESOPHAGOSCOPIC FORCEPS

Art No: SMS-ENT-8076-8085

Name: Bronchoscopic and Esophagoscopic Forceps

Detail: SMS-ENT-8076-8080 Working Length : 55cm,
 Shaft Diam : 2.5 mm SMS-ENT-8081-8085
 Working Length : 60cm, Shaft Diam : 2.5 mm

FORCEPS FOR LARYNGO BRONCHO ESOPHAGOSCOPY



Cotton Applicators
38 cm
SMS-ENT-8086

Art No: SMS-ENT-8086
Name: Cotton Applicators
Detail: Size: 38cm
Bronchoscopy - Oesophagoscopy

FORCEPS FOR LARYNGO BRONCHO ESOPHAGOSCOPY



shaft lengths
30 cm SMS-ENT-8087
40 cm SMS-ENT-8088
50 cm SMS-ENT-8089
60 cm SMS-ENT-8090

Chevalier-Jackson

Art No: SMS-ENT-8087-8090

Name: Chevalier Jackson Broncho Esophagoscopy Forceps

Detail: Length :SMS-ENT-8087 = 30cm SMS-ENT-8088 = 40cm
SMS-ENT-8089 = 50cm SMS-ENT-8090 = 60cm

FORCEPS FOR LARYNGO BRONCHO ESOPHAGOSCOPY



shaft lengths
30 cm SMS-ENT-8091
40 cm SMS-ENT-8092
50 cm SMS-ENT-8093
60 cm SMS-ENT-8094

Chevalier-Jackson

Art No: SMS-ENT-8091-8094
Name: Chevalier Jackson Broncho Esophagoscope Forceps
Detail: Length :
SMS-ENT-8091 = 30cm SMS-ENT-8092 = 40cm
SMS-ENT-8093 = 50cm SMS-ENT-8094 = 60cm
Bronchoscopy - Oesophagoscopy

FORCEPS FOR LARYNGO BRONCHO ESOPHAGOSCOPY



shaft lengths
30 cm SMS-ENT-8095
40 cm SMS-ENT-8096
50 cm SMS-ENT-8097
60 cm SMS-ENT-8098

Chevalier-Jackson

Art No: SMS-ENT-8095-8098
Name: Chevalier Jackson Broncho Esophagoscopy Forceps
Detail: Length :
SMS-ENT-8095 = 30cm SMS-ENT-8096 = 40cm
SMS-ENT-8097 = 50cm SMS-ENT-8098 = 60cm

FORCEPS FOR LARYNGO BRONCHO ESOPHAGOSCOPY



- Art No:** SMS-ENT-8099-8102
- Name:** Chevalier Jackson Broncho Esophagoscopy Forceps
- Detail:** Length :
- SMS-ENT-8099 = 30cm SMS-ENT-8100 = 40cm
SMS-ENT-8101 = 50cm SMS-ENT-8102 = 60cm

FORCEPS FOR LARYNGO BRONCHO ESOPHAGOSCOPY



shaft lengths
30 cm SMS-ENT-8103
40 cm SMS-ENT-8104
50 cm SMS-ENT-8105
60 cm SMS-ENT-8106

Chevalier-Jackson

Art No: SMS-ENT-8103-8106
Name: Chevalier Jackson Broncho Esophagoscopy Forceps
Detail: Length :
SMS-ENT-8103 = 30cm SMS-ENT-8104 = 40cm
SMS-ENT-8105 = 50cm SMS-ENT-8106 = 60cm

FORCEPS FOR LARYNGO BRONCHO ESOPHAGOSCOPY



shaft lengths
30 cm SMS-ENT-8107
40 cm SMS-ENT-8108
50 cm SMS-ENT-8109
60 cm SMS-ENT-8110

Chevalier-Jackson

Art No: SMS-ENT-8107-8110
Name: Chevalier Jackson Broncho Esophagoscope Forceps
Detail: Length :
SMS-ENT-8107 = 30cm SMS-ENT-8108 = 40cm
SMS-ENT-8109 = 50cm SMS-ENT-8110 = 60cm

FORCEPS FOR LARYNGO BRONCHO ESOPHAGOSCOPY



shaft lengths
30 cm SMS-ENT-8115
40 cm SMS-ENT-8116
50 cm SMS-ENT-8117
60 cm SMS-ENT-8118

Chevalier-Jackson

Art No: SMS-ENT-8115-8118
Name: Chevalier Jackson Bronchob Esophagoscopy Forceps
Detail: Length :
SMS-ENT-8115 = 30cm SMS-ENT-8116 = 40cm
SMS-ENT-8117 = 50cm SMS-ENT-8118 = 60cm
Bronchoscopy - Oesophagoscopy

LAYRNGEAL INSTRUMENTS



Suciton Tubes
working length 23 cm
2 mm SMS-ENT-7150
2.5 mm SMS-ENT-7151
3 mm SMS-ENT-7152



Cotton Applicator
25 cm, straight
SMS-ENT-7153

Art No: SMS-ENT-7150-7152

Name: Suction Tubes

Detail: Working Length: 23cm

Diam:

SMS-ENT-7150 = 2 mm

SMS-ENT-7151 = 2.5 mm

SMS-ENT-7152 = 3 mm

Art No: SMS-ENT-7153

Name: Cotton Applicator Straight

Detail: Size: 25cm Layrngology

Endo Lyrngeal Microsurght



Surgical Medical
Supplies

LAYRNGEAL INSTRUMENTS



Laryngeal Snare
31 cm
SMS-ENT-7154



Reichert
24 cm/9½"
SMS-ENT-7206

Art No: SMS-ENT-7154

Name: Laryngeal Snare

Detail: Size: 31cm

Laryngology Endo Laryngeal Microsurger

Art No: SMS-ENT-7206

Name: Reichert Epiglottis Retractor

Detail: Size: 24cm, 9 1/2'

LARYNGEAL INSTRUMENTS

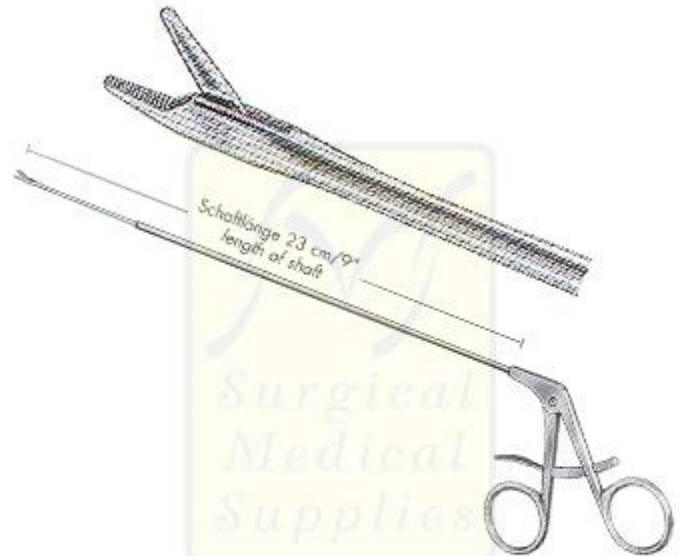


Killian
20 cm/8"
SMS-ENT-7207

Art No: SMS-ENT-7207

Name: Killian Laryngectomy Scissors

Detail: Size: 20cm, 8"



Needle Holder, with ratchet
SMS-ENT-7149

Art No: SMS-ENT-7149

Name: Needle Holder With Ratchet

Detail: Shaft Size: 23cm

LAYRNGEAL APPLICATORS



Peltson
23 cm
SMS-ENT-7155



Fein
28 cm
SMS-ENT-7156

Art No: SMS-ENT-7155

Name: Peltson Laryngeal Applicator

Detail: Size: 23cm

Art No: SMS-ENT-7156

Name: Fein Laryngeal Applicator

Detail: Size: 28cm

Laryngology Endo Laryngeal Microsurgery



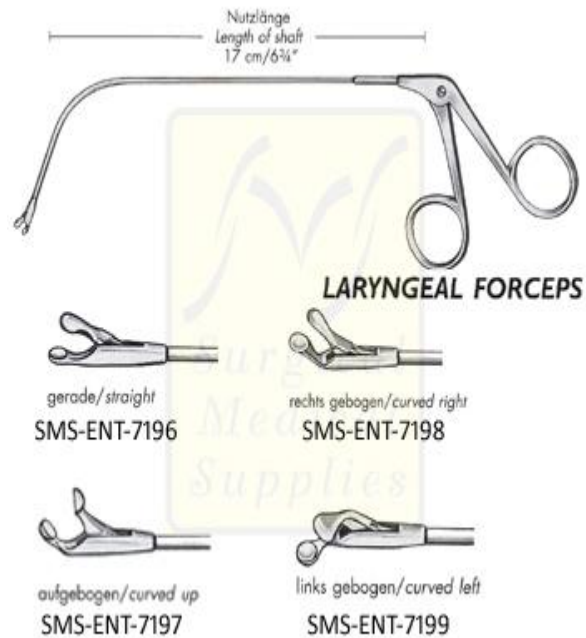
LARYNGEAL APPLICATORS



Killian
28 cm
SMS-ENT-7157

Art No: SMS-ENT-7157
Name: Killian Laryngeal Applicator
Detail: Size: 25cm

LARYNGEAL FORCEPS



Art No: SMS-ENT-7196-7199

Name: Laryngeal Forceps

Detail: Shaft Size: 17cm

SMS-ENT-7196 = Straight

SMS-ENT-7197 = Curved Up

SMS-ENT-7198 = Curved Right

SMS-ENT-7199 = Curved Left

Laryngology Endo Lyrngeal Microsurgery

LARYNGEAL FORCEPS



Fraenkel
25 cm/10"
SMS-ENT-7200
Kehlkopf-Fremdkörperzange
Laryngeal polypus forceps

Art No: SMS-ENT-7200

Name: Fraenkel Laryngeal Polypus Forceps

Detail: Size: 25cm Shaft Size: 17cm



Fraenkel
25 cm/10"
SMS-ENT-7201
Kehlkopf-Fremdkörperzange
Laryngeal polypus forceps

Art No: SMS-ENT-7201

Name: Fraenkel Laryngeal Forceps

Detail: Size: 25cm Shaft Size: 18cm

LARYNGEAL FORCEPS



Art No: SMS-ENT-7202-7205

Name: Jurasz Laryngeal Forceps

Detail: Size: 23cm, 9"

Laryngology Endo Laryngeal Microsurgery

LARYNGOSCOPES



Ø 30 mm
SMS-ENT-7000

with transformer connection

SMS-ENT-7001

- Art No:** SMS-ENT-7000-7001
- Name:** Laryngoscope Handle With Transformer Connection
- Detail:** Diam: 30 mm SMS-ENT-7000
- Laryngoscope Handle
- SMS-ENT-7001
- Laryngoscope Handle With Transformer Connection
- Battery Handles for Conventional Batteries
- Laryngology Endolaryngeal Microsurgery

ohne Batterien/*without batteries*



Ø 30 mm
SMS-ENT-7002

- Art No:** SMS-ENT-7002
Name: Laryngoscope Handle Without Batteries
Detail: Diam: 30 mm
Battery Handles for Conventional Batteries
Laryngology Endolaryngeal

LARYNGOSCOPES



Art No: SMS-ENT-7004-7009

Name: McIntosh Laryngoscope Blades

Detail: Working Length:

53 mm - 148 mm

Length: 75 mm - 170 mm

Laryngology Endolaryngeal Microsurgery

LARYNGOSCOPES



McIntosh
SMS-ENT-7010

Set in case, with 3 blades,
consisting of: SMS-ENT-7000 (Handle)
SMS-ENT-7005 (Fig. 1)
SMS-ENT-7006 (Fig. 2)
SMS-ENT-7007 (Fig. 3)

Art No:SMS-ENT-7010

Name:McIntosh Laryngoscope Set With 3 Blades

Detail: Set in Case Consisting of:

Handle and 4 Blades



McIntosh
SMS-ENT-7011

Set in case, with 4 blades,
consisting of: SMS-ENT-7000 (Handle)
SMS-ENT-7005 (Fig. 1)
SMS-ENT-7006 (Fig. 2)
SMS-ENT-7007 (Fig. 3)
SMS-ENT-7008 (Fig. 4)

Art No:SMS-ENT-7011

Name:McIntosh Laryngoscope Set With 4 Blades

Detail: Set in Case Consisting of:

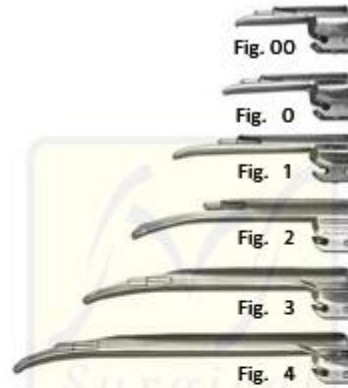
Handle and 3 Blades

LARYNGOSCOPES



Baby-McIntosh
SMS-ENT-7012

Set in case, with 3 blades,
consisting of: SMS-ENT-7000 (Handle)
SMS-ENT-7004 (Fig. 0)
SMS-ENT-7005 (Fig. 1)
SMS-ENT-7006 (Fig. 2)



Miller Laryngoscope Blades

Fig.	working length	length	
00	36 mm	76 mm	SMS-ENT-7013
0	53 mm	80 mm	SMS-ENT-7014
1	78 mm	100 mm	SMS-ENT-7015
2	133 mm	155 mm	SMS-ENT-7016
3	173 mm	195 mm	SMS-ENT-7017
4	183 mm	205 mm	SMS-ENT-7018

Art No: SMS-ENT-7012
Name: Baby McIntosh Laryngoscope
Set With 3 Blades
Detail: Set in Case Consisting of:
Set With 3 Blades

Art No: SMS-ENT-7013-7018
Name: Miller Laryngoscope Blades
Detail: Working Length: 53 mm - 183 mm
Length: 75 mm – 205mm

LARYNGOSCOPES



Miller

SMS-ENT-7019 Set in case, with 3 blades,
consisting of:
SMS-ENT-7000 (Handle)
SMS-ENT-7016 (Fig. 2)
SMS-ENT-7017 (Fig. 3)
SMS-ENT-7018 (Fig. 4)

Art No:SMS-ENT-7019

Name:Miller Laryngoscope Set

Detail:Set in Case Consisting of:

With 3 Blades



Miller

SMS-ENT-7020 Set in case, with 4 blades,
consisting of:
SMS-ENT-7000 (Handle)
SMS-ENT-7015 (Fig. 1)
SMS-ENT-7016 (Fig. 2)
SMS-ENT-7017 (Fig. 3)
SMS-ENT-7018 (Fig. 4)

Art No:SMS-ENT-7020

Name:Miller Laryngoscope Set

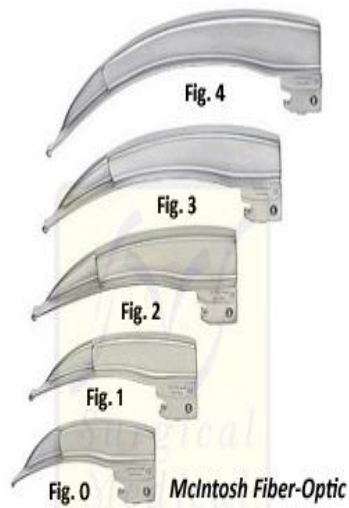
Detail:Set in Case Consisting of:

With 4 Blades



Battery Handle
for conventional batteries
SMS-ENT-7023

Art No: SMS-ENT-7023
Name: Laryngoscope Battery Handle For Coventional Batteries
Detail: Laryngoscope Battery Handle
For Coventional Batteries
Diam: 18 mm
Laryngoscope With Halogen And Fiber
Optic Illumination Laryngology



McIntosh Laryngoscope Blades

Fig.	Nutzlänge working length	Gesamtlänge length	
0	53 mm	75 mm	SMS-ENT-7024
1	68 mm	90 mm	SMS-ENT-7025
2	88 mm	110 mm	SMS-ENT-7026
3	108 mm	130 mm	SMS-ENT-7027
4	128 mm	150 mm	SMS-ENT-7028

Art No: SMS-ENT-7024-7028

Name: McIntosh Laryngoscope Fiber Optic Blades

Detail: Working Length:
53 mm - 128 mm Length: 75 mm - 150 mm

Laryngoscope With Halogen And Fiber Optic Illumination

Laryngology Endolaryngeal Microsurgery

LARYNGOSCOPES



Halogen Lamp 2.5 V
SMS-ENT-7029

Art No: SMS-ENT-7029

Name: Halogen Lamp 2 pt 54 V

Detail: Halogen Lamp 2.54 V

Laryngoscope With Halogen And
Fiber Optic Illumination
Laryngology Endolaryngeal Microsurger



McIntosh Fiber-Optic

SMS-ENT-7030 Set in case, with 3 blades
consisting of:
SMS-ENT-7021 (Handle)
SMS-ENT-7026 (Fig. 2)
SMS-ENT-7027 (Fig. 3)
SMS-ENT-7028 (Fig. 4)

Art No: SMS-ENT-7030

Name: McIntosh Fiber Optic Laryngoscope

Detail: Set With 3 Blades



McIntosh Fiber-Optic

SMS-ENT-7031 Set in case, with 4 blades
consisting of:
SMS-ENT-7021 (Handle)
SMS-ENT-7025 (Fig. 1)
SMS-ENT-7026 (Fig. 2)
SMS-ENT-7027 (Fig. 3)
SMS-ENT-7028 (Fig. 4)

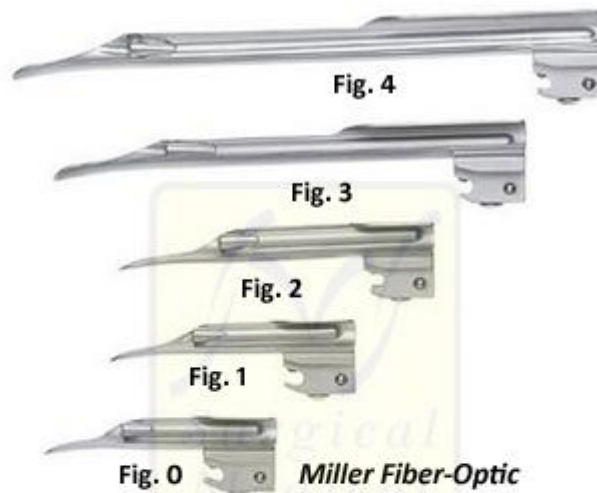
Art No: SMS-ENT-7031

Name: McIntosh Fiber Optic Laryngoscope Set With 4 Blades

Detail: Set in Case Consisting of: Handle and 4 Blades

Laryngoscope With Halogen And Fiber Optic Illumination

Laryngology Endolaryngeal Microsurgery



**Miller Fiber-Optic
Miller Laryngoscope Blades**

Fig.	Nutzlänge working length	Gesamtlänge length	
0	53 mm	75 mm	SMS-ENT-7032
1	78 mm	100 mm	SMS-ENT-7033
2	133 mm	155 mm	SMS-ENT-7034
3	173 mm	195 mm	SMS-ENT-7035
4	183 mm	205 mm	SMS-ENT-7036

Art No: SMS-ENT-7032-7036
Name: Miller Laryngoscope Fiber Optic Blades
Detail: Working Length: 53 mm - 183 mm
 Length: 75 mm - 205 mm
 Laryngoscope With Halogen And Fiber Optic Illumination
 Laryngology Endolaryngeal Microsurgery



Miller Fiber-Optic

SMS-ENT-7038 Set in case, with 4 blades
consisting of:
SMS-ENT-7021 (Handle)
SMS-ENT-7033 (Fig. 1)
SMS-ENT-7034 (Fig. 2)
SMS-ENT-7035 (Fig. 3)
SMS-ENT-7036 (Fig. 4)

Art No: SMS-ENT-7038

Name: Miller Fiber Optic Laryngoscope Set With 4 Blades

Detail: Miller Fiber Optic Laryngoscope Set With 4 Blades

Set in Case Consisting of:

Handle and 4 Blades

Laryngoscope With Halogen And Fiber Optic Illumination

Laryngology Endolaryngeal Microsurgery



Miller Fiber-Optic

SMS-ENT-7039 Set in case, with 5 blades
consisting of:

- SMS-ENT-7021 (Handle)
- SMS-ENT-7032 (Fig. 0)
- SMS-ENT-7033 (Fig. 1)
- SMS-ENT-7034 (Fig. 2)
- SMS-ENT-7035 (Fig. 3)
- SMS-ENT-7036 (Fig. 4)

Art No: SMS-ENT-7039

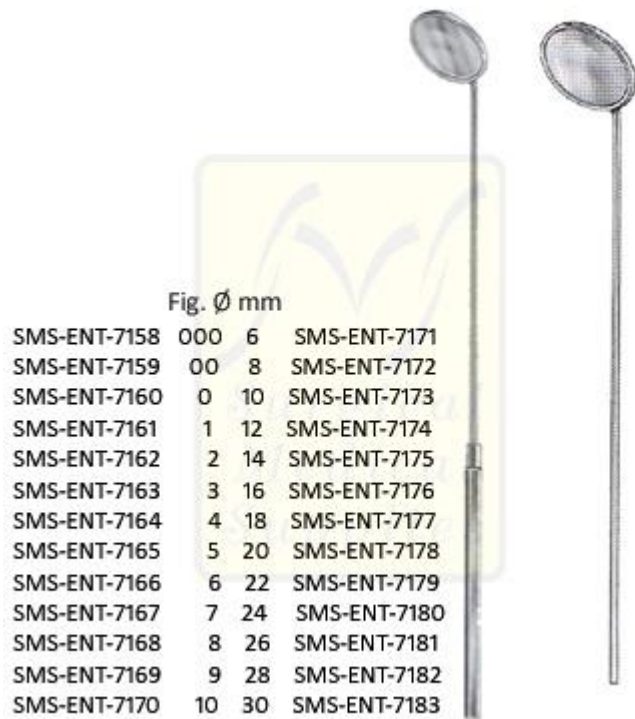
Name: Miller Fiber Optic Laryngoscope Set With 5 Blades

Detail: Set in Case Consisting of: Handle and 5 Blades

Laryngoscope With Halogen And Fiber Optic Illumination

Laryngology Endolaryngeal Microsurgery

LARYNGEAL MIRROR AND HANDLE



LARYNGEAL MIRRORS AND HANDLES

Art No: SMS-ENT-7158-7183

Name: Laryngeal Mirrors and Handles

Detail: Laryngeal Mirrors

SMS-ENT-7158-7170

Fig. 000 – 10 Handles

SMS-ENT-7171-7183

6 mm - 30 mm

Laryngology Endolaryngeal Microsurgery

LARYNGEAL MIRROR AND HANDLE



mm	cpl.	mirror only
10	SMS-ENT-7184	SMS-ENT-7189
12	SMS-ENT-7185	SMS-ENT-7190
14	SMS-ENT-7186	SMS-ENT-7191
16	SMS-ENT-7187	SMS-ENT-7192
18	SMS-ENT-7188	SMS-ENT-7193

Art No: SMS-ENT-7184-7193

Name: Michel Laryngeal Mirrors With Handles

Detail: Size: 25cm Mirror Handles

SMS-ENT-7184-7188 10 mm - 18 mm

Mirror Only SMS-ENT-7189-7193

Laryngology Endolaryngeal Microsurgery

LARYNGEAL MIRROR AND HANDLE



Mirror Handle
11 cm
SMS-ENT-7194



Mirror Handle
10.5 cm
SMS-ENT-7195

Art No: SMS-ENT-7194

Name: Laryngeal Mirror Handle 11cm

Detail: Size: 11cm

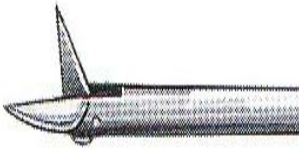
Art No: SMS-ENT-7195

Name: Laryngeal Mirror Handle 10 pt 5cm

Detail: Size: 11cm Laryngology

Laryngology Endolaryngeal Microsurgery

MICRO SCISSORS



shaft 23 cm, straight
forefinger movable SMS-ENT-7054
thumb movable SMS-ENT-7055



shaft 23 cm, straight horizontal
forefinger movable SMS-ENT-7056
thumb movable SMS-ENT-7057



Art No: SMS-ENT-7054-7055

Name: Micro Scissors Straight Fig 4

Detail: Shaft Size: 23cm Diam: 2 mm

SMS-ENT-7054 Forefinger Movable

SMS-ENT-7055 Thumb Movable

Art No: SMS-ENT-7056-7057

Name: Micro Scissors Straight Horizontal

Detail: Shaft Size: 23cm Diam: 2 mm

SMS-ENT-7056 Forefinger Movable

SMS-ENT-7057 Thumb Movable

MICRO SCISSORS



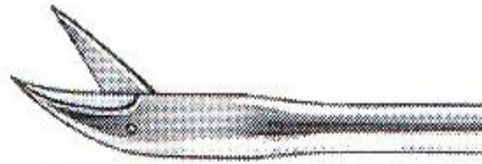
shaft 23 cm, angled 45 degree
forefinger movable SMS-ENT-7058
thumb movable SMS-ENT-7059



Micro scissors

Art No: SMS-ENT-7058-7059
Name: Micro Scissors Angled 45 degree Fig 1
Detail: Shaft Size: 23cm Diam: 2 mm
SMS-ENT-7058 Forefinger Movable
SMS-ENT-7059 Thumb Movable
Laryngology Endolaryngeal Microsurgery

MICRO SCISSORS



shaft 23 cm, angled 15 degree
 forefinger movable SMS-ENT-7060
 thumb movable SMS-ENT-7061



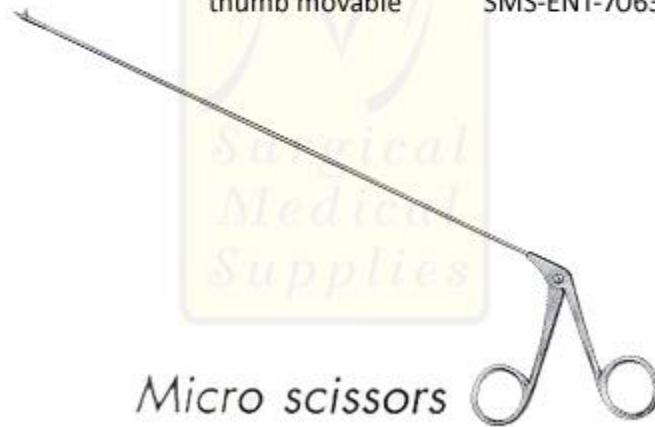
Micro scissors

Art No: SMS-ENT-7060-7061
Name: Micro Scissors Angled 15 degree
Detail: Shaft Size: 23cm Diam: 2 mm
 SMS-ENT-7060 Forefinger Movable
 SMS-ENT-7061 Thumb Movable
 Laryngology Endolaryngeal Microsurgery

MICRO SCISSORS



shaft 23 cm, curved right
 forefinger movable SMS-ENT-7062
 thumb movable SMS-ENT-7063

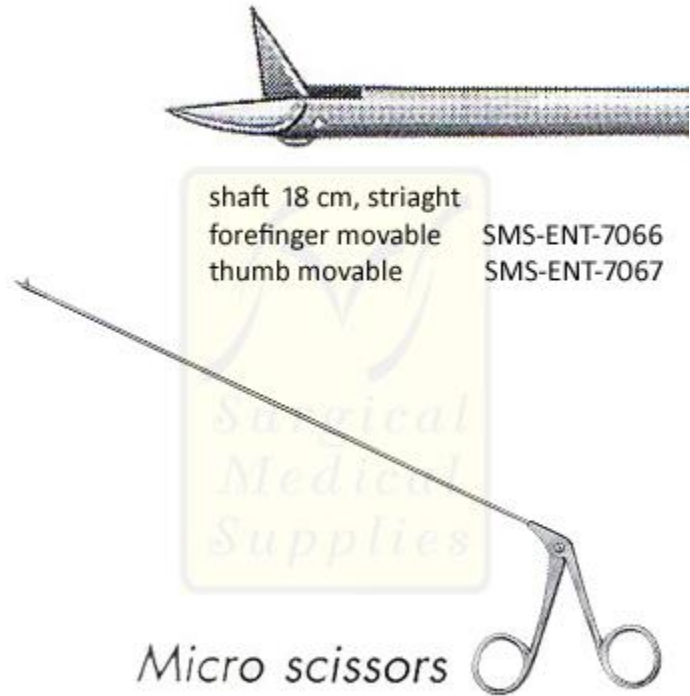
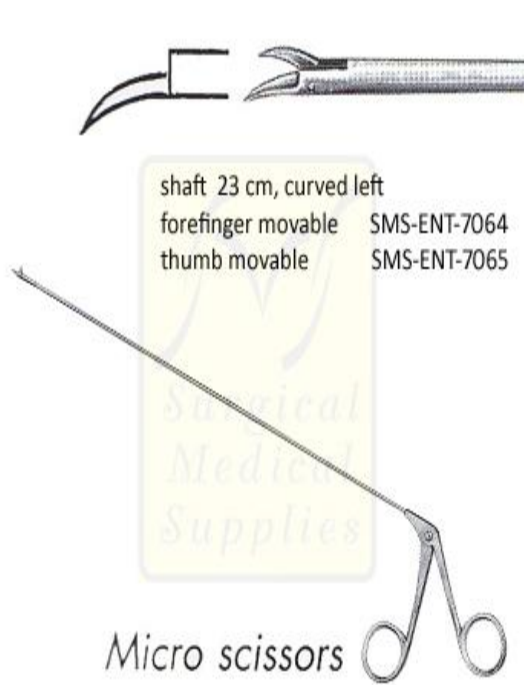


Micro scissors

Art No: SMS-ENT-7062-7063
Name: Micro Scissors Curved Right Fig 1
Detail:

Shaft Size: 23cm	Diam: 2 mm
SMS-ENT-7062	Forefinger Movable
SMS-ENT-7063	Thumb Movable

MICRO SCISSORS



Art No: SMS-ENT-7064-7065

Name: Micro Scissors Curved Left Fig 1

Detail: Shaft Size: 23cm, Diam: 2 mm

SMS-ENT-7064 Forefinger Movable

SMS-ENT-7065 Thumb Movable

Art No: SMS-ENT-7066-7067

Name: Micro Scissors Straight Fig 5

Detail: Shaft Size: 18cm Diam: 2 mm

SMS-ENT-7066 Forefinger Movable

SMS-ENT-7067 Thumb Movable

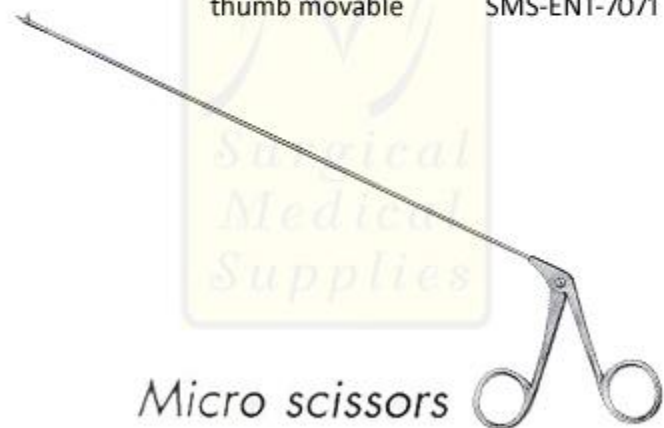
MICRO SCISSORS



shaft 18 cm, angled 45 degree
forefinger movable SMS-ENT-7068
thumb movable SMS-ENT-7069



shaft 18 cm, curved right
forefinger movable SMS-ENT-7070
thumb movable SMS-ENT-7071



Art No: SMS-ENT-7068-7069

Name: Micro Scissors 45 Degree Angled

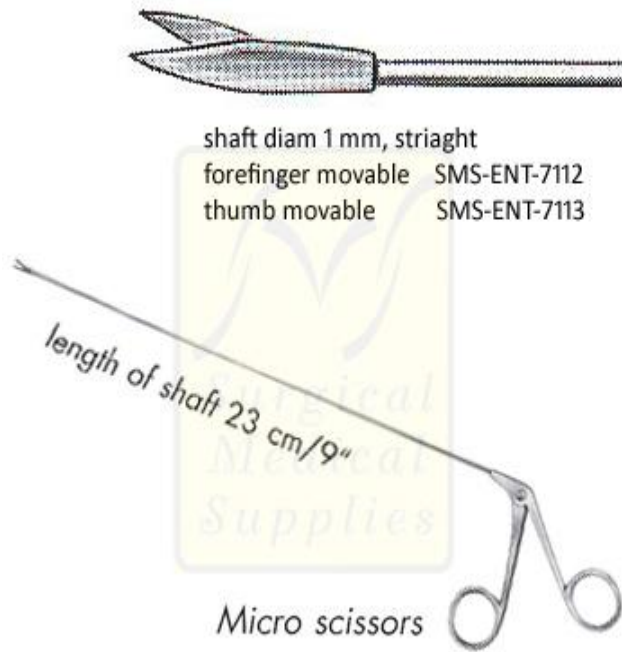
Detail: Shaft Size: 18cm, Diam: 2 mm

Art No: SMS-ENT-7070-7071

Name: Micro Scissors Curved Right Fig 2

Detail: Shaft Size: 18cm Diam: 2 mm

MICRO SCISSORS



Art No: SMS-ENT-7072-7073

Name: Micro Scissors Curved Left Fig 2

Detail: Shaft Size: 18cm, Diam: 2 mm

SMS-ENT-7072 : Forefinger Movable
SMS-ENT-7072 : Thumb Movable

Art No: SMS-ENT-7112-7113

Name: Micro Scissors Straight Fig 6

Detail: Shaft Size: 23cm Diam: 1 mm

SMS-ENT-7112 : Forefinger Movable
SMS-ENT-7113 : Thumb Movable

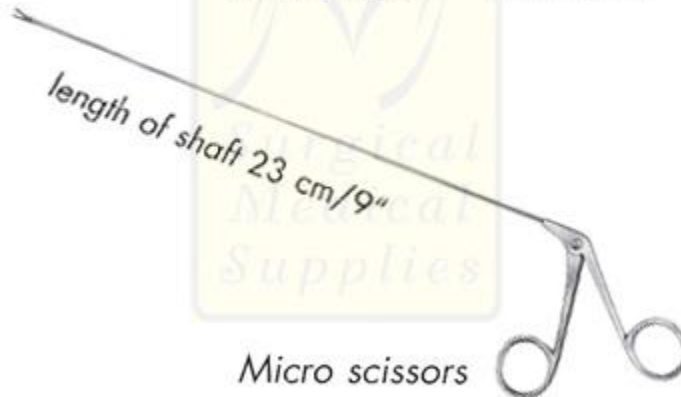
MICRO SCISSORS



shaft diam 1 mm, angled 45 degree
forefinger movable SMS-ENT-7114
thumb movable SMS-ENT-7115



shaft diam 1 mm, curved right
forefinger movable SMS-ENT-7116
thumb movable SMS-ENT-7117



Art No: SMS-ENT-7114-7115

Name: Micro Scissors Angled 45 degree

Detail: Shaft Size: 23cm Diam: 1 mm

Art No: SMS-ENT-7116-7117

Name: Micro Scissors Curved Right

Detail: Shaft Size: 23cm Diam: 1 mm

MICRO SCISSORS



shaft diam 1 mm, curved left
 forefinger movable SMS-ENT-7118
 thumb movable SMS-ENT-7119



Art No	SMS-ENT-7118-7119	
Name:	Micro Scissors Curved Left	
Detail:	Shaft Size: 23cm	Diam: 1 mm
	SMS-ENT-7118	Forefinger Movable
	SMS-ENT-7119	Thumb Movable
	Laryngology	

FORCEPS FOR ENDOLARYNGEAL MICROSURGERY



shaft diam 1 mm, straight
forefinger movable SMS-ENT-7120
thumb movable SMS-ENT-7121



Art No: SMS-ENT-7120-7121

Name: Micro Forceps Straight Fig 3

Detail: Shaft Size: 23cm, Diam: 1 mm

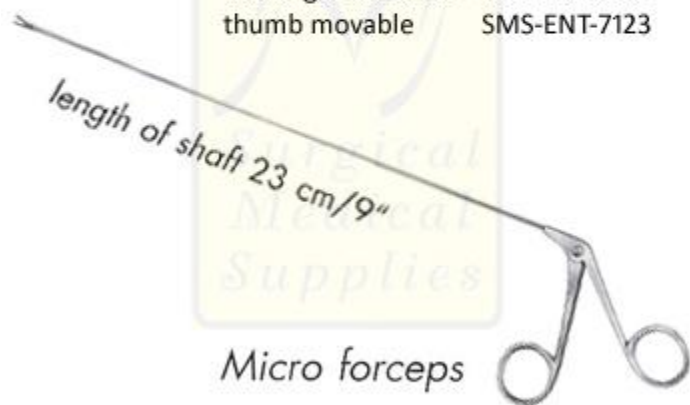
SMS-ENT-7120 Forefinger Movable

SMS-ENT-7121 Thumb Movable

Laryngology Endolaryngeal



shaft diam 1 mm, curved jaws
forefinger movable SMS-ENT-7122
thumb movable SMS-ENT-7123



Art No: SMS-ENT-7122-7123

Name: Micro Forceps Curved Upwards Fig 3

Detail: Shaft Size: 23cm Diam: 1 mm

SMS-ENT-7122 Forefinger Movable

SMS-ENT-7123 Thumb Movable

FORCEPS FOR ENDOLARYNGEAL MICROSURGERY



shaft diam 1 mm, curved right
forefinger movable SMS-ENT-7124
thumb movable SMS-ENT-7125



Art No: SMS-ENT-7124-7125

Name: Micro Forceps Curved Right

Detail: Shaft Size: 23cm, Diam: 1 mm



shaft diam 1 mm, curved left
forefinger movable SMS-ENT-7126
thumb movable SMS-ENT-7127



Art No: SMS-ENT-7126-7127

Name: Micro Forceps Curved Left

Detail: Shaft Size: 23cm Diam: 1 mm

FORCEPS FOR ENDOLARYNGEAL MICROSURGERY



shaft diam 1 mm, straight
forefinger movable SMS-ENT-7128
thumb movable SMS-ENT-7129



Art No: SMS-ENT-7128-7129

Name: Micro Cutting Forceps Straight Fig 1

Detail: Shaft Size: 23cm, Diam: 1 mm



shaft diam 1 mm, curved upwards
forefinger movable SMS-ENT-7130
thumb movable SMS-ENT-7131



Art No: SMS-ENT-7130-7131

Name: Micro Cutting Forceps Curved Upwards

Detail: Shaft Size: 23cm Diam: 1 mm

FORCEPS FOR ENDOLARYNGEAL MICROSURGERY



shaft diam 1 mm, curved right
forefinger movable SMS-ENT-7132
thumb movable SMS-ENT-7133



Art No: SMS-ENT-7132-7133

Name: Micro Cutting Forceps Curved Right Fig 2

Detail: Shaft Size: 23cm, Diam: 1 mm

SMS-ENT-7132 Forefinger Movable

SMS-ENT-7132 Thumb Movable



shaft diam 1 mm, curved left
forefinger movable SMS-ENT-7134
thumb movable SMS-ENT-7135



Art No: SMS-ENT-7134-7135

Name: Micro Cutting Forceps Curved Left Fig 1

Detail: Shaft Size: 23cm Diam: 1 mm

SMS-ENT-7134 Forefinger Movable

SMS-ENT-7134 Thumb Movable

FORCEPS FOR ENDOLARYNGEAL MICROSURGERY



shaft diam 1 mm, curved upwards right
forefinger movable SMS-ENT-7136
thumb movable SMS-ENT-7137



Art No: SMS-ENT-7136-7137

Name: Micro Cutting Forceps Curved Upward Right Fig 1

Detail:

Shaft Size: 23cm	Diam: 1 mm
SMS-ENT-7136	Forefinger Movable
SMS-ENT-7137	Thumb Movable

Laryngology Endolaryngeal Microsurgery

FORCEPS FOR ENDOLARYNGEAL MICROSURGERY



shaft diam 1 mm, curved upwards left
forefinger movable SMS-ENT-7138
thumb movable SMS-ENT-7139



Art No: SMS-ENT-7138-7139

Name: Micro Cutting Forceps Curved Upward Left Fig 1

Detail:

Shaft Size: 23cm	Diam: 1 mm
SMS-ENT-7138	Forefinger Movable
SMS-ENT-7139	Thumb Movable

Laryngology Endolaryngeal Microsurgery

FORCEPS FOR ENDOLARYNGEAL MICROSURGERY



Cutting Forceps, with fenestrated
jaw sharp, straight
shaft diam 2.5 mm
SMS-ENT-7142



Art No: SMS-ENT-7142

Name: Cutting Forceps oval with fenestrated jaw sharp straight

Detail: Shaft Length: 20.5cm

Diam: 2.5 mm

Laryngology Endolaryngeal Microsurgery

FORCEPS FOR ENDOLARYNGEAL MICROSURGERY



Cup Shaped Forceps
oval 2 x 3 mm, straight
shaft diam 2.0 mm
SMS-ENT-7143



Art No: SMS-ENT-7143

Name: Cup Shaped Forceps

Detail: oval 2x3 mm, straight,

Shaft Length: 20.5cm, Diam: 2.0 mm

Laryngology Endolaryngeal Microsurgery



Biospy Punch
oval 4 x 4.5 mm, 90 degree angled
shaft diam 3.0 mm
SMS-ENT-7144



Art No: SMS-ENT-7144

Name: Biopsy Punch 90 Degree angled

Detail: 4x4.5 mm, 90° angled

Shaft Length: 20.5cm Diam

FORCEPS FOR ENDOLARYNGEAL MICROSURGERY



Grasping Forceps
strong, shaft diam 2.5 mm
SMS-ENT-7145



Alligator Grasping Forceps
strong, shaft diam 2.5 mm
SMS-ENT-7146



Art No: SMS-ENT-7145

Name: Grasping Forceps strong

Detail: Shaft Length: 20.5cm Diam: 2.5 mm

Art No: SMS-ENT-7146

Name: Alligator Grasping Forceps

Detail: Shaft Length: 20.5cm Diam: 2.5 mm

FORCEPS FOR ENDOLARYNGEAL MICROSURGERY



Forceps
oval, strong, shaft diam 2.7 mm
SMS-ENT-7147



Art No: SMS-ENT-7147

Name: Forceps oval strong

Detail: Shaft Length: 20.5cm Diam: 2.7 mm



Forceps
strong, shaft diam 2.5 mm
SMS-ENT-7148

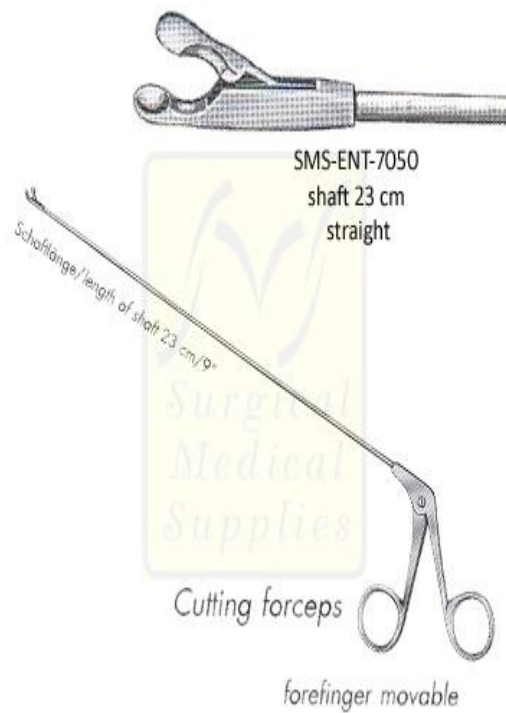


Art No: SMS-ENT-7148

Name: Forceps strong

Detail: Shaft Length: 20.5cm Diam: 2.5 mm

FORCEPS FOR ENDOLARYNGEAL MICROSURGERY



Art No: SMS-ENT-7050

Name: Cutting Forceps Straight

Detail: Shaft Size: 23cm, Diam: 4 mm



Art No: SMS-ENT-7051

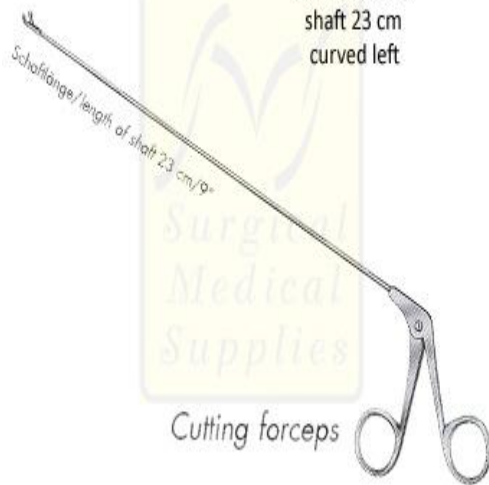
Name: Cutting Forceps Curved Upwards Fig 4

Detail: Shaft Size: 23cm, Diam: 4 mm

FORCEPS FOR ENDOLARYNGEAL MICROSURGERY



SMS-ENT-7053
shaft 23 cm
curved left



forefinger movable



shaft diam 2 mm, straight
forefinger movable SMS-ENT-7074
thumb movable SMS-ENT-7075



Art No: SMS-ENT-7053

Name: Cutting Forceps Curved Left

Detail: Shaft Size: 23cm, Diam: 4 mm

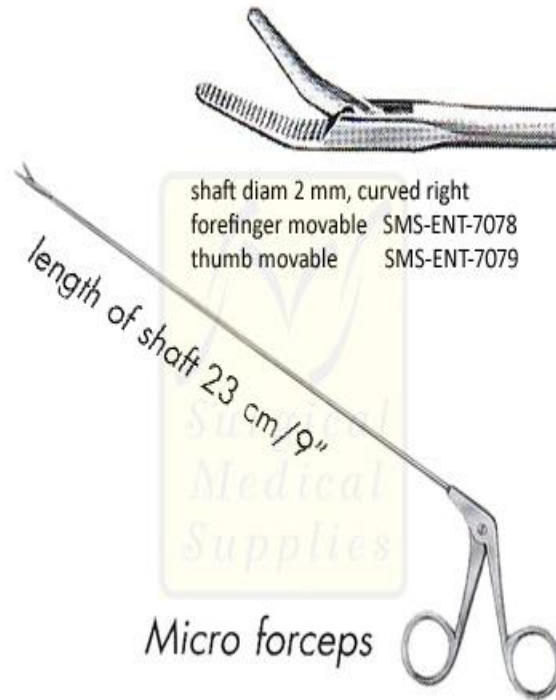
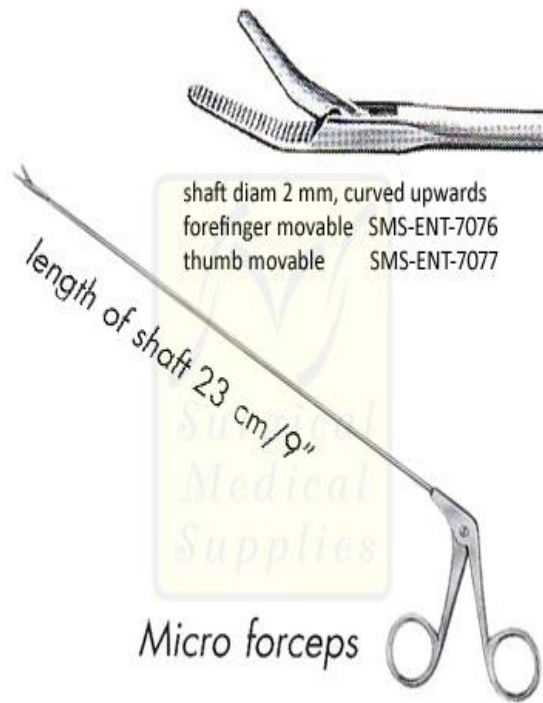
Art No: SMS-ENT-7074-7075

Name: Micro Forceps Straight Fig 4

Detail: Shaft Size: 23cm Diam: 2 mm

Laryngology Endolaryngeal Microsurgery

FORCEPS FOR ENDOLARYNGEAL MICROSURGERY



Art No: SMS-ENT-7076-7077

Name: Micro Forceps Curved Upwards Fig 2

Detail: Shaft Size: 23cm, Diam: 2 mm

Laryngology Endolaryngeal Microsurgery

Art No: SMS-ENT-7078-7079

Name: Micro Forceps Curved Right Fig 2

Detail: Shaft Size: 23cm Diam: 2 mm

FORCEPS FOR ENDOLARYNGEAL MICROSURGERY



shaft diam 2 mm, curved left
forefinger movable SMS-ENT-7080
thumb movable SMS-ENT-7081



Art No: SMS-ENT-7080-7081

Name: Micro Forceps Curved Left Fig 2

Detail: Shaft Size: 23cm, Diam: 2 mm



shaft diam 2 mm, curved upwards right
forefinger movable SMS-ENT-7082
thumb movable SMS-ENT-7083

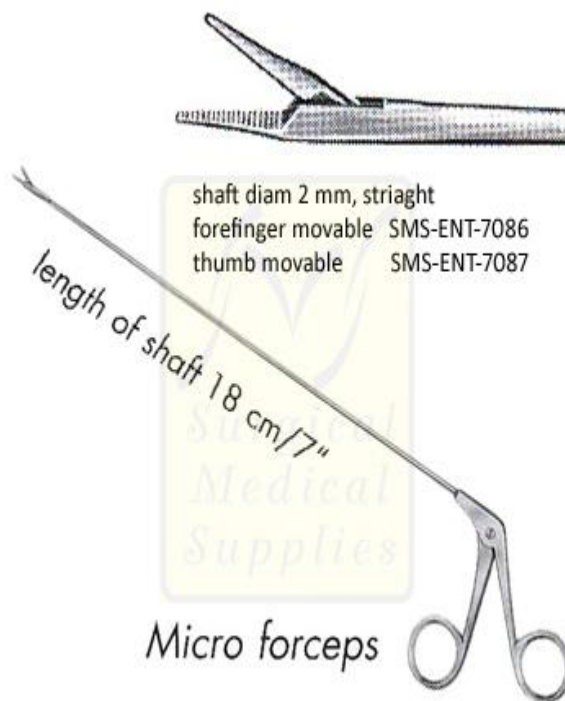
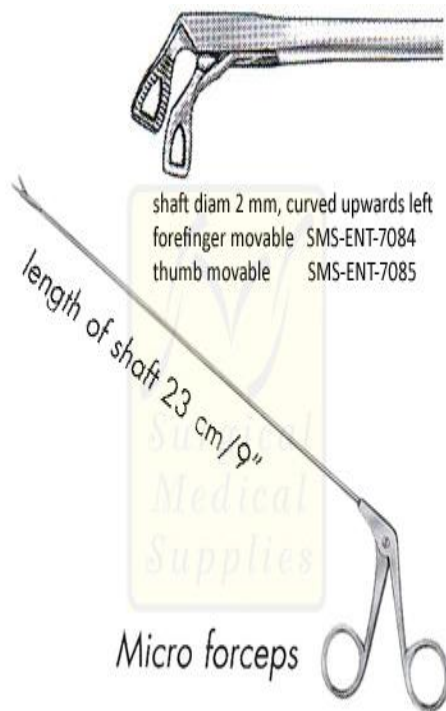


Art No: SMS-ENT-7082-7083

Name: Micro Forceps Curved Upwards Right

Detail: Shaft Size: 23cm Diam: 2 mm

FORCEPS FOR ENDOLARYNGEAL MICROSURGERY



Art No: SMS-ENT-7084-7085

Name: Micro Forceps Curved Upwards Left

Detail: Shaft Size: 23cm, Diam: 2 mm

Art No: SMS-ENT-7086-7087

Name: Micro Forceps Straight Fig 5

Detail: Shaft Size: 18cm Diam: 2 mm

FORCEPS FOR ENDOLARYNGEAL MICROSURGERY



shaft diam 2 mm, straight
forefinger movable SMS-ENT-7088
thumb movable SMS-ENT-7089



shaft diam 2 mm, curved upwards
forefinger movable SMS-ENT-7090
thumb movable SMS-ENT-7091



Art No: SMS-ENT-7088-7089

Name: Micro Cutting Forceps Straight Fig 3

Detail: Shaft Size: 23cm, Diam: 2 mm

SMS-ENT-7088 Forefinger Movable

SMS-ENT-7089 Thumb Movable

Laryngology Endolaryngeal Microsurgery

Art No: SMS-ENT-7090-7091

Name: Micro Cutting Forceps Curved Upwards Fig 3

Detail: Shaft Size: 23cm Diam: 2 mm

FORCEPS FOR ENDOLARYNGEAL MICROSURGERY



shaft diam 2 mm, curved upwards right
forefinger movable SMS-ENT-7096
thumb movable SMS-ENT-7097



Art No: SMS-ENT-7096-7097

Name: Micro Cutting Forceps Curved Upwards Right Fig 2

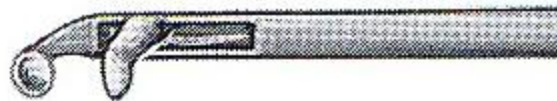
Detail: Shaft Size: 23cm, Diam: 2 mm

SMS-ENT-7096 Forefinger Movable

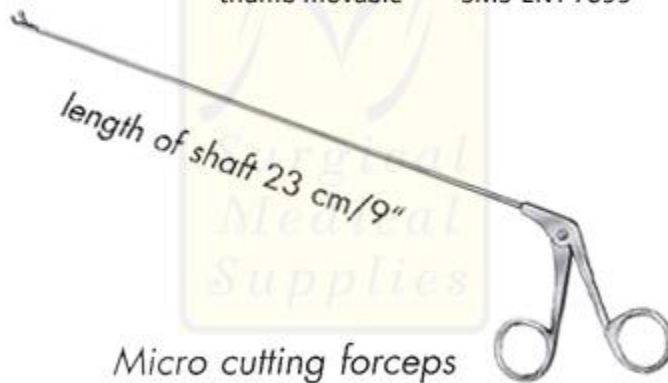
SMS-ENT-7097 Thumb Movable

Laryngology Endolaryngeal Microsurgery

FORCEPS FOR ENDOLARYNGEAL MICROSURGERY



shaft diam 2 mm, curved upwards left
forefinger movable SMS-ENT-7098
thumb movable SMS-ENT-7099



- Art No:** SMS-ENT-7098-7099
- Name:** Micro Cutting Forceps Curved Upwards Left Fig 2
- Detail:** Shaft Size: 23cm, Diam: 2 mm
- SMS-ENT-7098 Forefinger Movable
- SMS-ENT-7099 Thumb Movable
- Laryngology Endolaryngeal Microsurgery

FORCEPS FOR ENDOLARYNGEAL MICROSURGERY



shaft diam 2 mm, horizontal right
forefinger movable SMS-ENT-7100
thumb movable SMS-ENT-7101



Art No: SMS-ENT-7100-7101

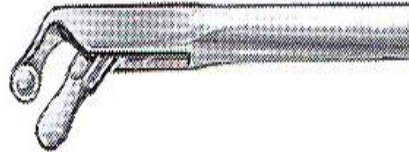
Name: Micro Cutting Forceps Horizontal Right

Detail:

Shaft Size: 23cm	Diam: 2 mm
SMS-ENT-7100	Forefinger Movable
SMS-ENT-7101	Thumb Movable

Laryngology Endolaryngeal Microsurgery

FORCEPS FOR ENDOLARYNGEAL MICROSURGERY



shaft diam 2 mm, horizontal left
forefinger movable SMS-ENT-7102
thumb movable SMS-ENT-7103



Art No:	SMS-ENT-7102-7103	
Name:	Micro Cutting Forceps Horizontal Left	
Detail:	Shaft Size: 23cm,	Diam: 2 mm
	SMS-ENT-7102	Forefinger Movable
	SMS-ENT-7103	Thumb Movable



ALPHABATICAL INDEX

A		
Description	Cat NO	Page
Alligator Grasping Forceps	SMS-ENT-7146	74

B		
Description	Cat NO	Page
Bronchoscopic and Esophagosopic Forceps Fig 23	SMS-ENT-8064-8067	19
Bronchoscopic and Esophagosopic Forceps Fig 24	SMS-ENT-8068-8071	20
Bronchoscopic and Esophagosopic Forceps Fig 25	SMS-ENT-8072-8075	21
Bronchoscopic and Esophagosopic Forceps Fig 26	SMS-ENT-8076-8085	22
Biopsy Punch 4x4 pt 5 mm 90 Degree angled	SMS-ENT-7144	73

C		
Description	Cat NO	Page
Cotton Applicators	SMS-ENT-8086	23
Chevalier Jackson Esophagoscopy Forceps Fig 1	SMS-ENT-8087-8090	24
Chevalier Jackson Esophagoscopy Forceps Fig 2	SMS-ENT-8091-8094	25
Chevalier Jackson Esophagoscopy Forceps Fig 3	SMS-ENT-8095-8098	26
Chevalier Jackson Esophagoscopy Forceps Fig 4	SMS-ENT-8099-8102	27
Chevalier Jackson Esophagoscopy Forceps Fig 5	SMS-ENT-8103-8106	28
Chevalier Jackson Esophagoscopy Forceps Fig 6	SMS-ENT-8107-8110	29
Chevalier Jackson Esophagoscopy Forceps Fig 8	SMS-ENT-8115-8118	30
Cottton Applicator Straight	SMS-ENT-7153	31
Cutting Forceps oval with fenestrated sharp straight	SMS-ENT-7142	72
Cup Shaped Forceps oval 2x3 mm straight	SMS-ENT-7143	73
Cutting Forceps Straight	SMS-ENT-7050	76
cutting Forceps Curved Upwards Fig 4	SMS-ENT-7051	76
Cutting Forceps Curved Left	SMS-ENT-7053	77

ALPHABATICAL INDEX

F		
Description	Cat NO	Page
Fein Laryngeal Applicator	SMS-ENT-7156	35
Fraenkel Laryngeal Polypus Forceps	SMS-ENT-7200	38
Fraenkel Laryngeal Forceps	SMS-ENT-7201	38
Forceps oval strong	SMS-ENT-7147	75
Forceps strong	SMS-ENT-7148	75

G		
Description	Cat NO	Page
Grasping Forceps strong	SMS-ENT-714574	

J		
Description	Cat NO	Page
Jurasz Laryngeal Forceps	SMS-ENT-7202-7205	39

K		
Description	Cat NO	Page
Killian Laryngectomy Scissors	SMS-ENT-7207	34
Killian Laryngeal Applicator	SMS-ENT-7157	36

ALPHABATICAL INDEX

L		
Description	Cat NO	Page
Laryngo Broncho Esophagoscopy Forceps Fig 1	SMS-ENT-8000	1
Laryngo Broncho Esophagoscopy Forceps Fig 2	SMS-ENT-8001	2
Laryngo Broncho Esophagoscopy Forceps Fig 3	SMS-ENT-8002	3
Laryngo Broncho Esophagoscopy Forceps Fig 4	SMS-ENT-8003	4
Laryngo Broncho Esophagoscopy Forceps Fig 5	SMS-ENT-8004	5
Laryngo Broncho Esophagoscopy Forceps Fig 6	SMS-ENT-8005	6
Laryngo Broncho Esophagoscopy Forceps Fig 7	SMS-ENT-8006	7
Laryngo Broncho Esophagoscopy Forceps Fig 8	SMS-ENT-8007	7
Laryngo Broncho Esophagoscopy Forceps Fig 9	SMS-ENT-8008	8
Laryngo Broncho Esophagoscopy Forceps Fig 10	SMS-ENT-8009	9
Laryngo Broncho Esophagoscopy Forceps Fig 12	SMS-ENT-8011-8015	10
Laryngo Broncho Esophagoscopy Forceps Fig 13	SMS-ENT-8016-8020	11
Laryngo Broncho Esophagoscopy Forceps Fig 14	SMS-ENT-8021-8025	12
Laryngo Broncho Esophagoscopy Forceps Fig 15	SMS-ENT-8026-8030	13
Laryngo Broncho Esophagoscopy Forceps Fig 16	SMS-ENT-8031-8035	14
Laryngo Broncho Esophagoscopy Forceps Fig 17	SMS-ENT-8036-8040	15
Laryngo Broncho Esophagoscopy Forceps Fig 18	SMS-ENT-8041-8045	16
Laryngo Broncho Esophagoscopy Forceps Fig 19	SMS-ENT-8046-8050	18
Laryngeal Snare	SMS-ENT-7154	32
Laryngeal Forceps	SMS-ENT-7196-7199	37
Laryngoscope Handle With Transformer Connection	SMS-ENT-7000-7001	40
Laryngoscope Handle Without Batteries	SMS-ENT-7002	41
Laryngoscope Battery Handle Coventional Batteries	SMS-ENT-7023	46
Laryngeal Mirrors and Handles	SMS-ENT-7158-7183	53
Laryngeal Mirror Handle 11 cm	SMS-ENT-7194	56
Laryngeal Mirror Handle 10 pt 5 cm	SMS-ENT-7195	56

ALPHABATICAL INDEX

M		
Description	Cat NO	Page
McIntosh Laryngoscope Blades	SMS-ENT-7004-7009	42
McIntosh Laryngoscope Set With 3 Blades	SMS-ENT-7010	43
McIntosh Laryngoscope Set With 4 Blades	SMS-ENT-7011	43
Baby McIntosh Laryngoscope Set With 3 Blades	SMS-ENT-7012	44
Miller Laryngoscope Blades	SMS-ENT-7013-7018	44
Miller Laryngoscope Set With 3 Blades	SMS-ENT-7019	45
Miller Laryngoscope Set With 4 Blades	SMS-ENT-7020	45
McIntosh Laryngoscope Fiber Optic Blades	SMS-ENT-7024-7028	47
McIntosh Fiber Optic Laryngoscope Set With 3 Blades	SMS-ENT-7030	48
McIntosh Fiber Optic Laryngoscope Set With 4 Blades	SMS-ENT-7031	49
Miller Laryngoscope Fiber Optic Blades	SMS-ENT-7032-7036	50
Miller Fiber Optic Laryngoscope Set With 4 Blades	SMS-ENT-7038	51
Miller Fiber Optic Laryngoscope Set With 5 Blades	SMS-ENT-7039	52
Michel Laryngeal Mirrors With Handles	SMS-ENT-7184-7193	54
Micro Scissors Straight Fig 4	SMS-ENT-7054-7055	57
Micro Scissors Straight Horizontal	SMS-ENT-7056-7057	57
Micro Scissors Angled 45 degree Fig 1	SMS-ENT-7058-7059	58
Micro Scissors Angled 15 degree	SMS-ENT-7060-7061	59
Micro Scissors Curved Right Fig 1	SMS-ENT-7062-7063	60
Micro Scissors Curved Left Fig 1	SMS-ENT-7064-7065	61
Micro Scissors Straight Fig 5	SMS-ENT-7066-7067	61
Micro Scissors 45 Degree Angled	SMS-ENT-7068-7069	62
Micro Scissors Curved Right Fig 2	SMS-ENT-7070-7071	62
Micro Scissors Curved Left Fig 2	SMS-ENT-7072-7073	63
Micro Scissors Straight Fig 6	SMS-ENT-7112-7113	63
Micro Scissors Angled 45 degree Fig 2	SMS-ENT-7114-7115	64
Micro Scissors Curved Right Fig 3	SMS-ENT-7116-7117	64
Micro Scissors Curved Left Fig 3	SMS-ENT-7118-7119	65



Micro Forceps Straight Fig 3	SMS-ENT-7120-7121	66
Micro Forceps Curved Upwards Fig 3	SMS-ENT-7122-7123	66
Micro Forceps Curved Right Fig 1	SMS-ENT-7124-7125	67
Micro Forceps Curved Left Fig 1	SMS-ENT-7126-7127	67
Micro Cutting Forceps Straight Fig 1	SMS-ENT-7128-7129	68
Micro Cutting Forceps Curved Upwards Fig 1	SMS-ENT-7130-7131	68
Micro Cutting Forceps Curved Right Fig 2	SMS-ENT-7132-7133	69
Micro Cutting Forceps Curved Left Fig 1	SMS-ENT-7134-7135	69
Micro Cutting Forceps Curved Upward Right Fig 1	SMS-ENT-7136-7137	70
Micro Cutting Forceps Curved Upward Left Fig 1	SMS-ENT-7138-7139	71
Micro Forceps Straight Fig 4	SMS-ENT-7074-7075	77
Micro Forceps Curved Upwards Fig 2	SMS-ENT-7076-7077	78
Micro Forceps Curved Right Fig 2	SMS-ENT-7078-7079	78
Micro Forceps Curved Left Fig 2	SMS-ENT-7080-7081	79
Micro Forceps Curved Upwards Right	SMS-ENT-7082-7083	79
Micro Forceps Curved Upwards Left	SMS-ENT-7084-7085	80
Micro Forceps Straight Fig 5	SMS-ENT-7086-7087	80
Micro Cutting Forceps Straight Fig 3	SMS-ENT-7088-7089	81
Micro Cutting Forceps Curved Upwards Fig 3	SMS-ENT-7090-7091	81
Micro Cutting Forceps Curved Upwards Right Fig 2	SMS-ENT-7096-7097	82
Micro Cutting Forceps Curved Upwards Left Fig 2	SMS-ENT-7098-7099	83
Micro Cutting Forceps Horizontal Right	SMS-ENT-7100-7101	84
Micro Cutting Forceps Horizontal Left	SMS-ENT-7102-7103	85

N		
Description	Cat NO	Page
Needle Holder With Ratchet	SMS-ENT-7149	34

P		
Description	Cat NO	Page
Pelteson Laryngeal Applicator	SMS-ENT-7155	35



ALPHABATICAL INDEX

R		
Description	Cat NO	Page
Reichert Epiglottis Retractor	SMS-ENT-7206	32

S		
Description	Cat NO	Page
Suction Tubes	SMS-ENT-7150-7152	31